

## 10 SERIES

- SINGLE CONTACT CANDELABRA BAYONET LAMPHOLDERS
- NON-GROUNDED OR GROUNDED LAMPHOLDERS
- SOLDER LUG TERMINALS OR PRINTED CIRCUIT BOARD TERMINALS
- ZINC PLATED STEEL SHELL
- MAXIMUM RATING: 10 WATTS, 50 VOLTS

### Overview

The 10 Series lampholders are constructed with a zinc plated steel shell and tinned solder lug or printed circuit board terminals. Lampholders can be supplied as either non-grounded or grounded units. Non-grounded units are supplied with two tinned solder lug terminals or two printed circuit board terminals. Grounded units are supplied with one tinned solder lug terminal, unless otherwise noted. Many bracket and mounting options are available. Lampholders are designed for use in low voltage applications with single contact candelabra bayonet lamps.

### Specifications

**Shell:** zinc plated steel.

#### Terminals:

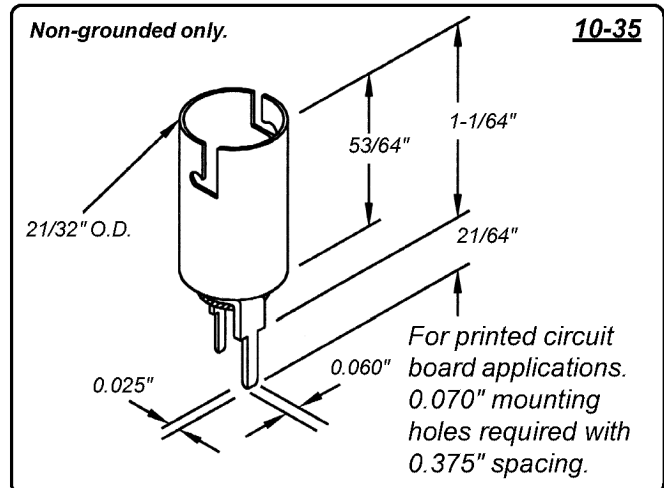
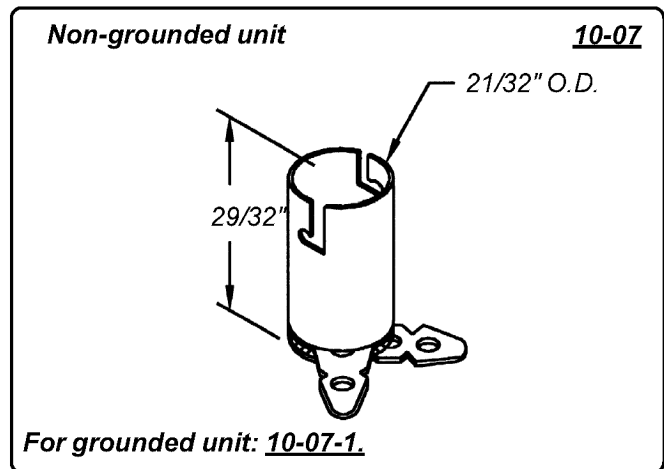
**Solder lug:** solder coated steel, 0.250" length x 0.020" thick, 60°- 90° apart with two wire holes 3/32" in diameter. Non-grounded units are supplied with two terminals. Grounded units are supplied with one terminal.

**PC solder terminals:** electro tinned steel.

#### Mounting:

**Brackets:** 0.025" to 0.032" zinc plated steel. Custom brackets and plating types are available.

**Maximum rating:** 10 Watts, 50 Volts.



**10 Series**  
**Maximum Rating: 10 Watts, 50 Volts**  
**Non-Grounded or Grounded**

**Zinc Plated Steel Shell**  
**Solder Lug Terminals or**  
**Printed Circuit Board Terminals**

Lampholders

